

Dekstone®

Dekstone® Architectural Series

Welcome to Dekstone®

Dekstone® is the 1st and most visually appealing, non-combustible product in the deck market.

Please use our **Dekstone®** detail series to assist you in the design and construction of your new deck.

For additional information, visit the **Dekstone®** website at www.dekstone.com or call Stepstone, Inc. at 1.800.572.9029

Dekstone® is a great choice for the surface of any deck.

Visit us at our website www.dekstone.com



Stepstone, Inc.
800.572.9029

17025 SOUTH MAIN ST., GARDENA CA 90248 TEL 310.327.7474 FAX 310.217.1424

Dekstone®

Dekstone® Architectural Series

Dekstone® Architectural Details

Table of Contents

DEK-1-04	General Details	1
DEK-1-08	Sample Floor Plan	2
DEK-2-01	Contained Edge Parallel to Support	3
DEK-2-02	Contained Edge Perpendicular to Support	4
DEK-2-03	Cantilever Edge Parallel to Support	5
DEK-2-04	Cantilever Edge Perpendicular to Support	6
DEK-2-05	Field - Parallel to Support, Unbolted	7
DEK-2-06	Field - Parallel to Support, Bolted	8
DEK-2-07	Field - Perpendicular to Support, Bolted	9
DEK-2-09	Suggested Connection to Building - Raised Foundation	10
DEK-2-10	Suggested Threshold Detail	11
DEK-2-11	Suggested Connection to Building - Concrete Slab Foundation	12
DEK-2-13	Connection Parallel to Building	13
DEK-2-14	Inside Corner at Building	14
DEK-2-15	Contained Edge Profile	15
	False Joint Reinforced Dekstone® Paver	16

Visit us at our website www.dekstone.com

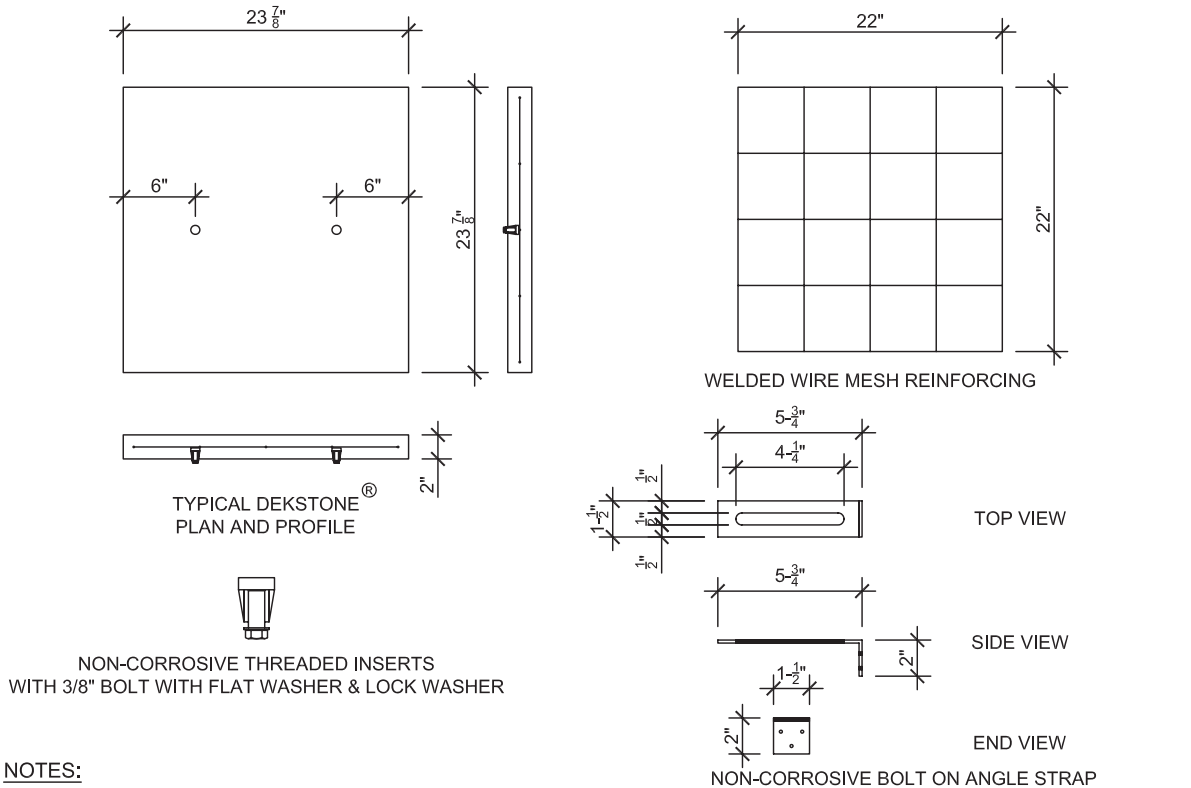


Stepstone, Inc.
800.572.9029

17025 SOUTH MAIN ST., GARDENA CA 90248 TEL 310.327.7474 FAX 310.217.1424

Dekstone®

Dekstone® Architectural Series



NOTES:

1. MATERIAL:
 - PRECAST CONCRETE DEKSTONE® SHALL HAVE A MINIMUM COMPRESSIVE STRENGTH OF 5000 P.S.I.
 - REINFORCEMENT SHALL BE ZINC PLATED WELDED WIRE MESH.
 - NOMINAL SIZE $23\frac{7}{8}$ " x $23\frac{7}{8}$ " x 2" THICK.
2. EDGE SUPPORT:
 - 2x BLOCKING EDGE SUPPORT REQUIRED AT END OF FLOOR JOIST.
3. DEKSTONE® PAVERS SHALL BE INSTALLED WITH A WATERPROOF MEMBRANE OVER FRAMING MEMBERS; DO NOT INSTALL DIRECTLY ON WOOD MEMBERS, MIN.1/8" GAP.
4. DEKSTONE® PAVERS SHALL HAVE A MINIMUM 11/2" BEARING SURFACE ON TWO PARALLEL SIDES.
5. FRAMING MEMBERS NOT BY "STEPSTONE" (TYPICAL).
6. ALL DEKSTONES® HAVE THE ABILITY TO BE FASTENED TO THE JOIST WITH TWO THREADED INSERTS.
7. USUALLY ONLY THE PERIMETER PAVERS NEED TO BE CONTAINED TO CONTAIN THE FIELD OF THE DEKSTONES.®
8. IN SOME CASES IT MAY BE DESIRABLE TO FASTEN ALL DEKSTONES® TO THE JOISTS.
9. THESE DETAILS ARE INTENDED TO BE THE STANDARD PLAN FOR DEKSTONE® PRECAST CONCRETE DECKING MATERIAL ONLY. THE DESIGN OF THE STRUCTURE AND COMPLIANCE TO LOCAL BUILDING CODES IS THE RESPONSIBILITY OF THE USER.

GENERAL DETAILS

N.T.S.
FILE: DEK-1-04

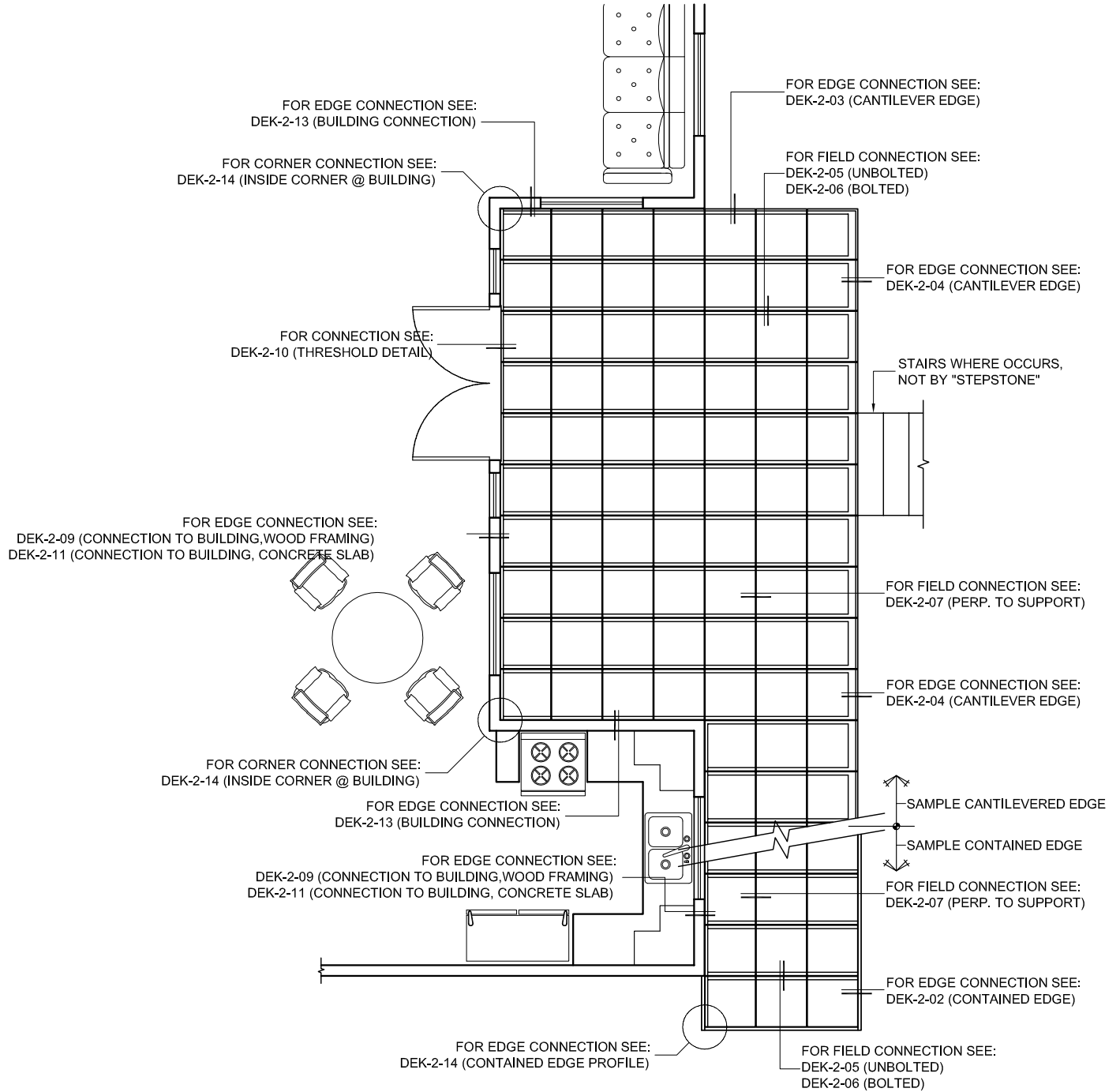
REV: 05. 01. 08

Page 1

Visit us at our website www.dekstone.com

Dekstone®

Dekstone® Architectural Series



SAMPLE FLOOR PLAN

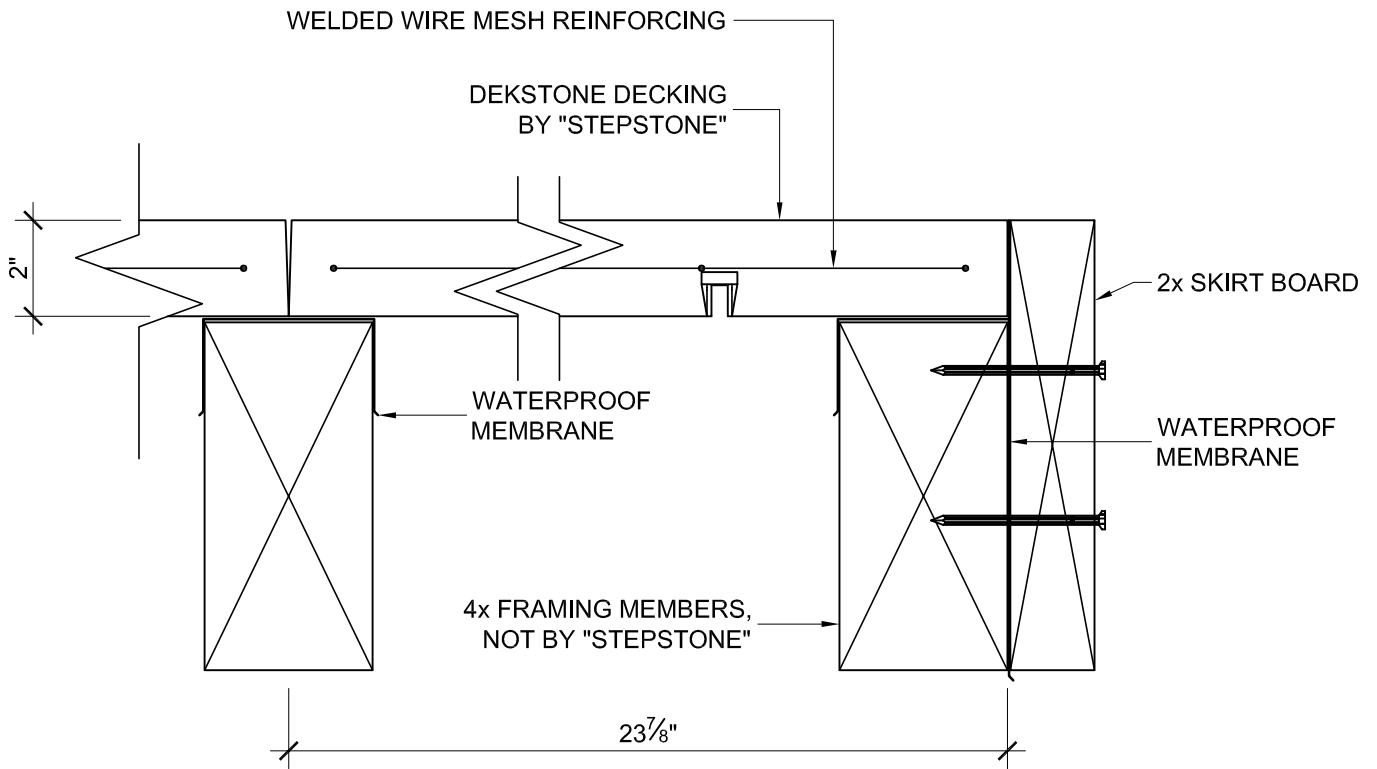
3/16" = 1'-0"
FILE: DEK-1-08

REV: 01.19.06

Visit us at our website www.dekstone.com

Dekstone®

Dekstone® Architectural Series



CONTAINED EDGE PARALLEL TO SUPPORT

3" = 1'-0"
FILE: DEK-2-01

REV: 01.19.06

Page 3

Visit us at our website www.dekstone.com

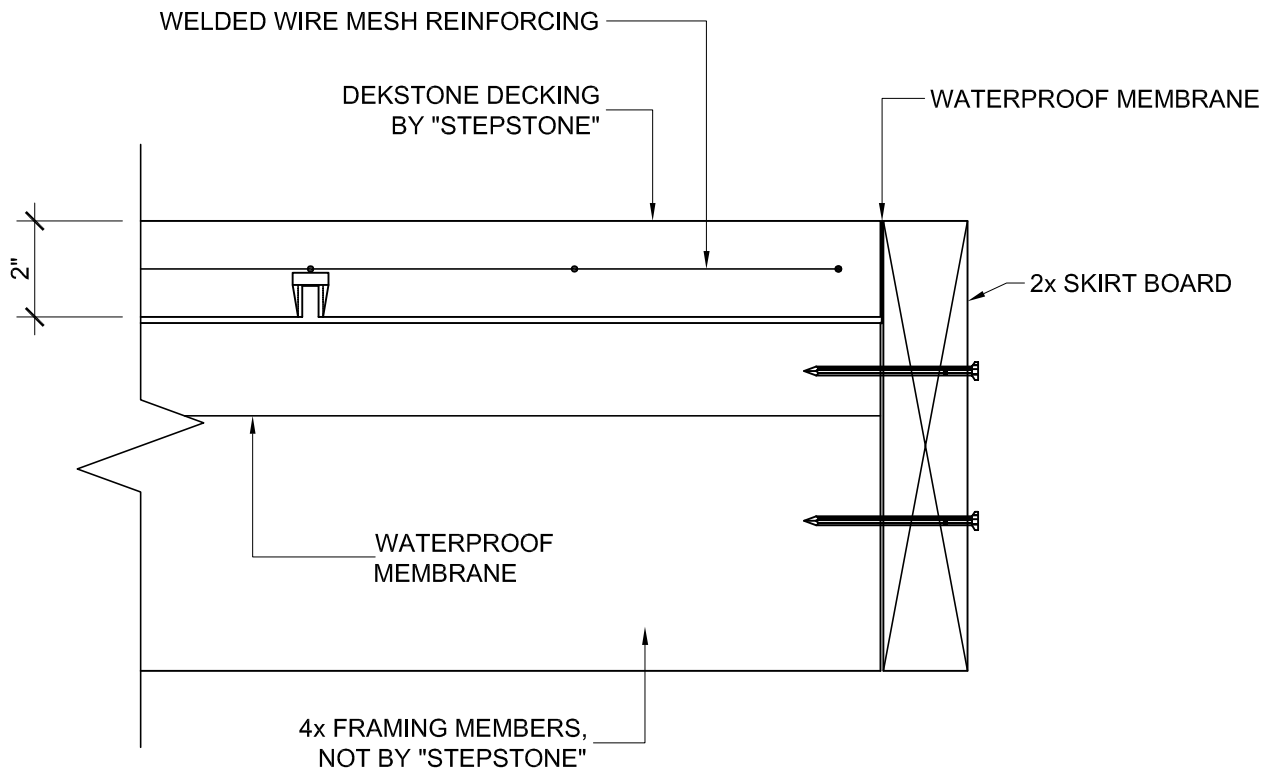


Stepstone, Inc.
800.572.9029

17025 SOUTH MAIN ST., GARDENA CA 90248 TEL 310.327.7474 FAX 310.217.1424

Dekstone®

Dekstone® Architectural Series



CONTAINED EDGE PERPENDICULAR TO SUPPORT

3" = 1'-0"

FILE: DEK-2-02

REV: 01.19.06

Page 4

Visit us at our website www.dekstone.com

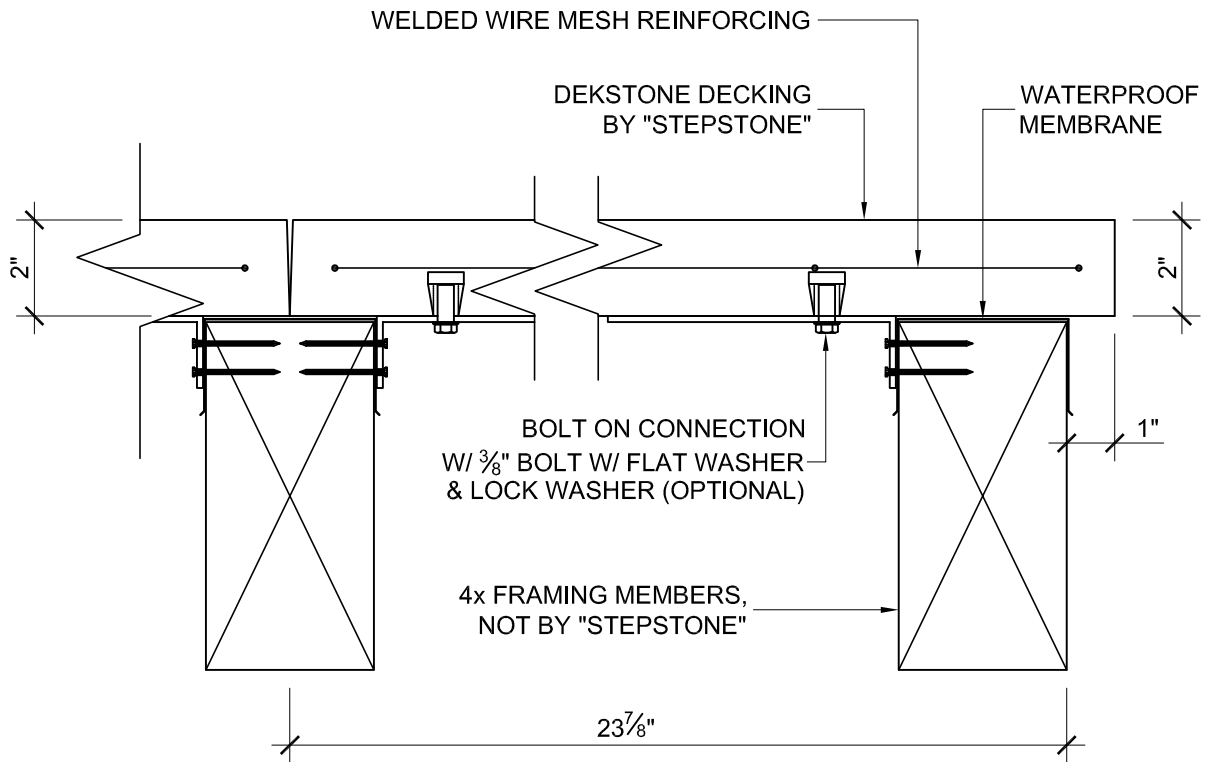


Stepstone, Inc.
800.572.9029

17025 SOUTH MAIN ST., GARDENA CA 90248 TEL 310.327.7474 FAX 310.217.1424

Dekstone®

Dekstone® Architectural Series



CANTILEVER EDGE PARALLEL TO SUPPORT

3" = 1'-0"

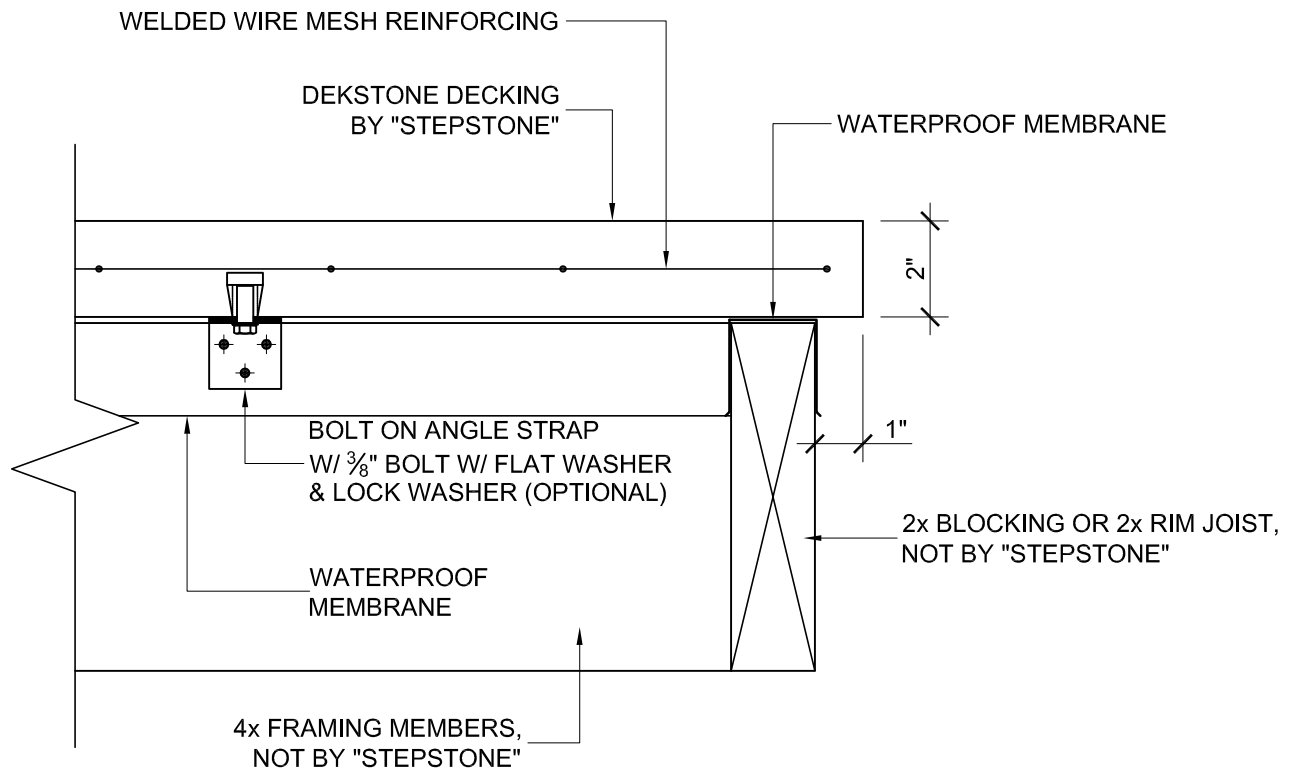
FILE: DEK-2-03

REV: 01.19.06



Dekstone®

Dekstone® Architectural Series



CANTILEVER EDGE PERPENDICULAR TO SUPPORT

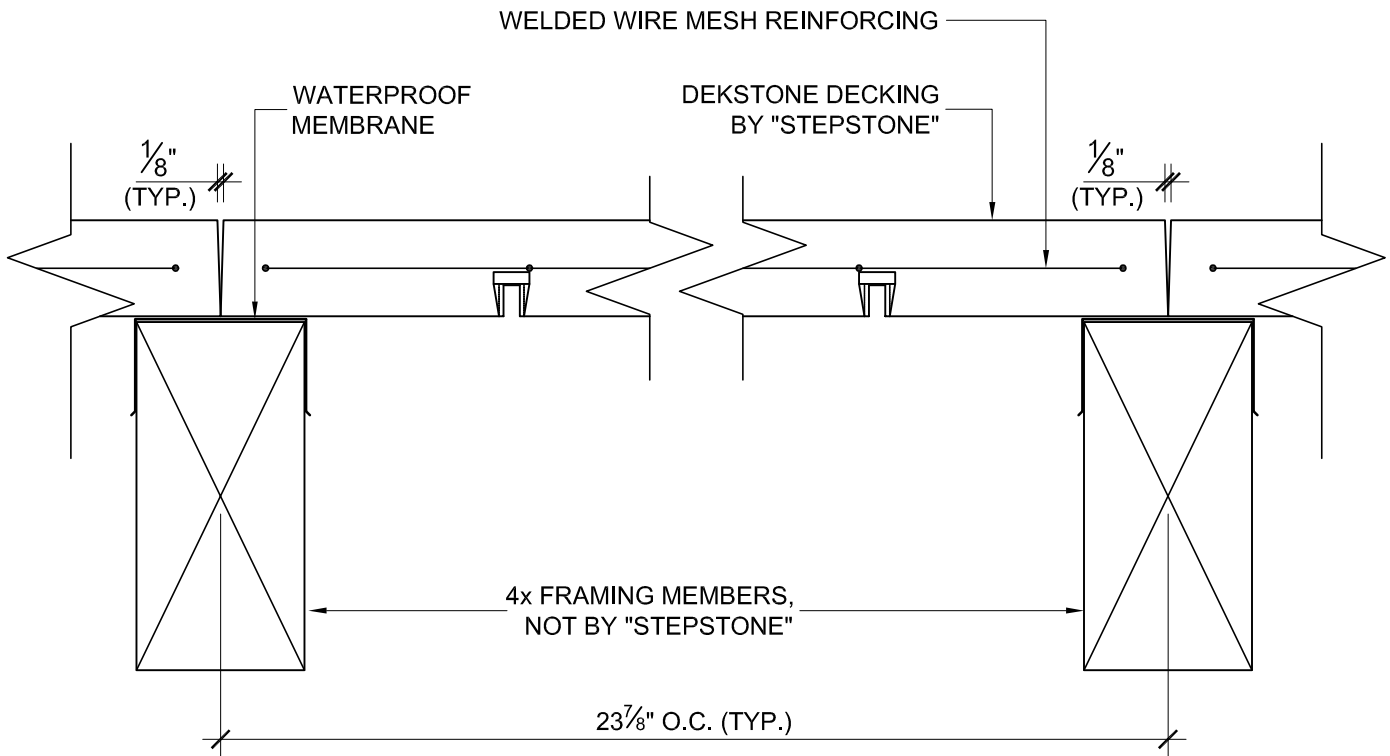
3" = 1'-0"

FILE: DEK-2-04

REV: 01.19.06

Dekstone®

Dekstone® Architectural Series



FIELD - PARALLEL TO SUPPORT, UNBOLTED

3" = 1'-0"
FILE: DEK-2-05

REV: 01.19.06

Page 7

Visit us at our website www.dekstone.com

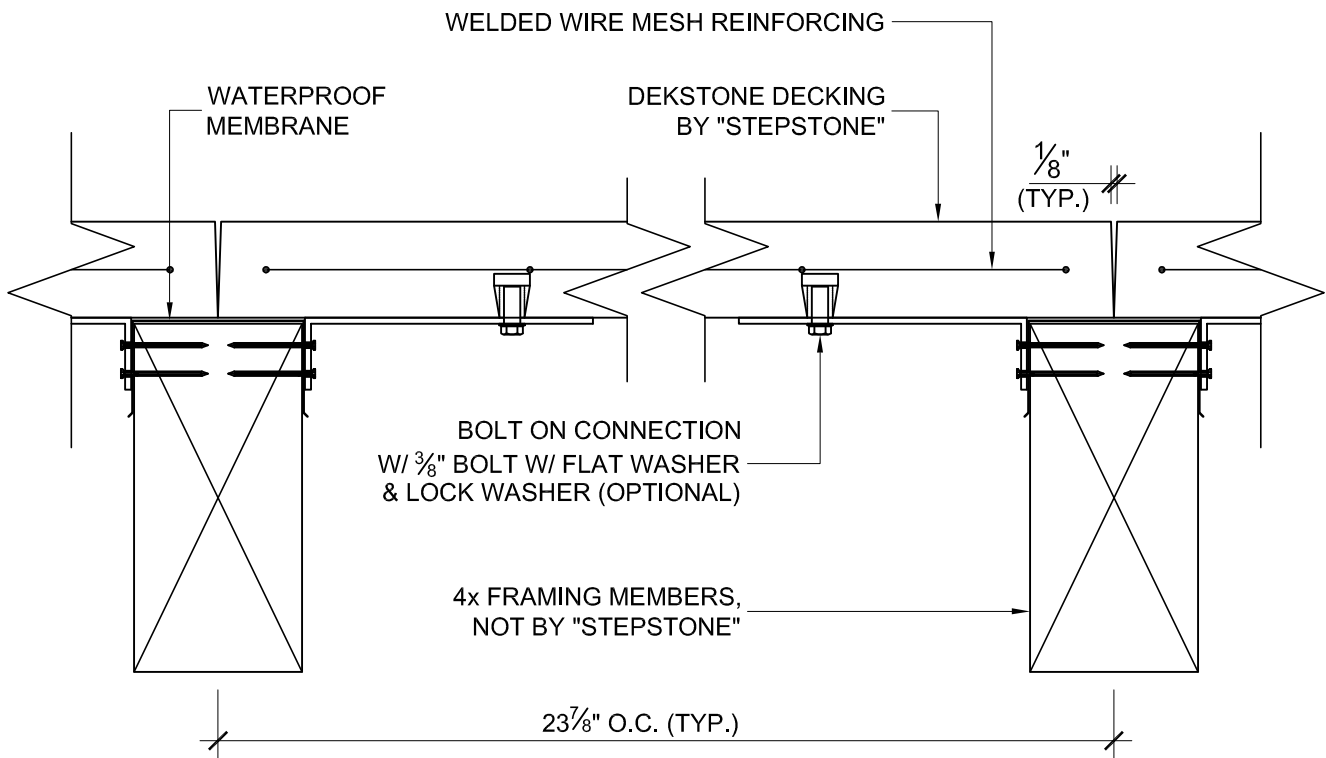


Stepstone, Inc.
800.572.9029

17025 SOUTH MAIN ST., GARDENA CA 90248 TEL 310.327.7474 FAX 310.217.1424

Dekstone®

Dekstone® Architectural Series



FIELD - PARALLEL TO SUPPORT, BOLTED

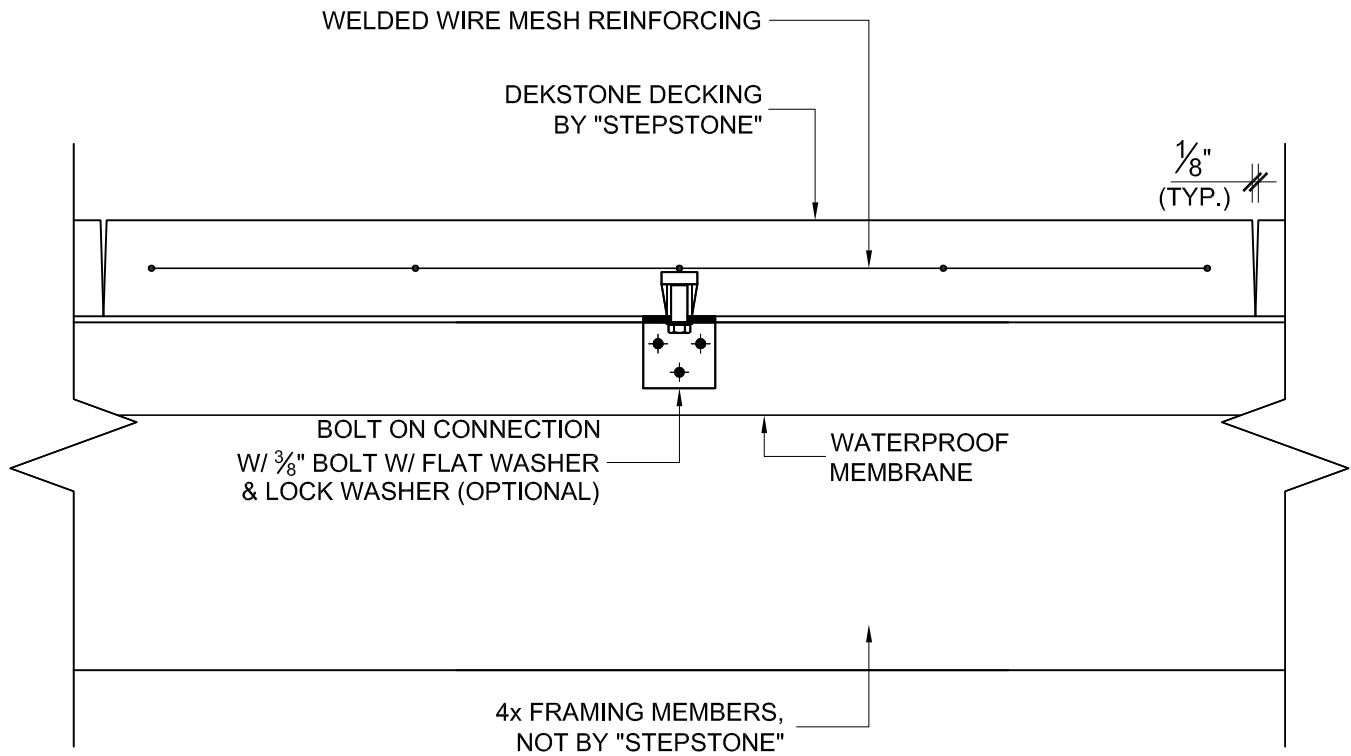
3" = 1'-0"

FILE: DEK-2-06

REV: 01.19.06

Dekstone®

Dekstone® Architectural Series



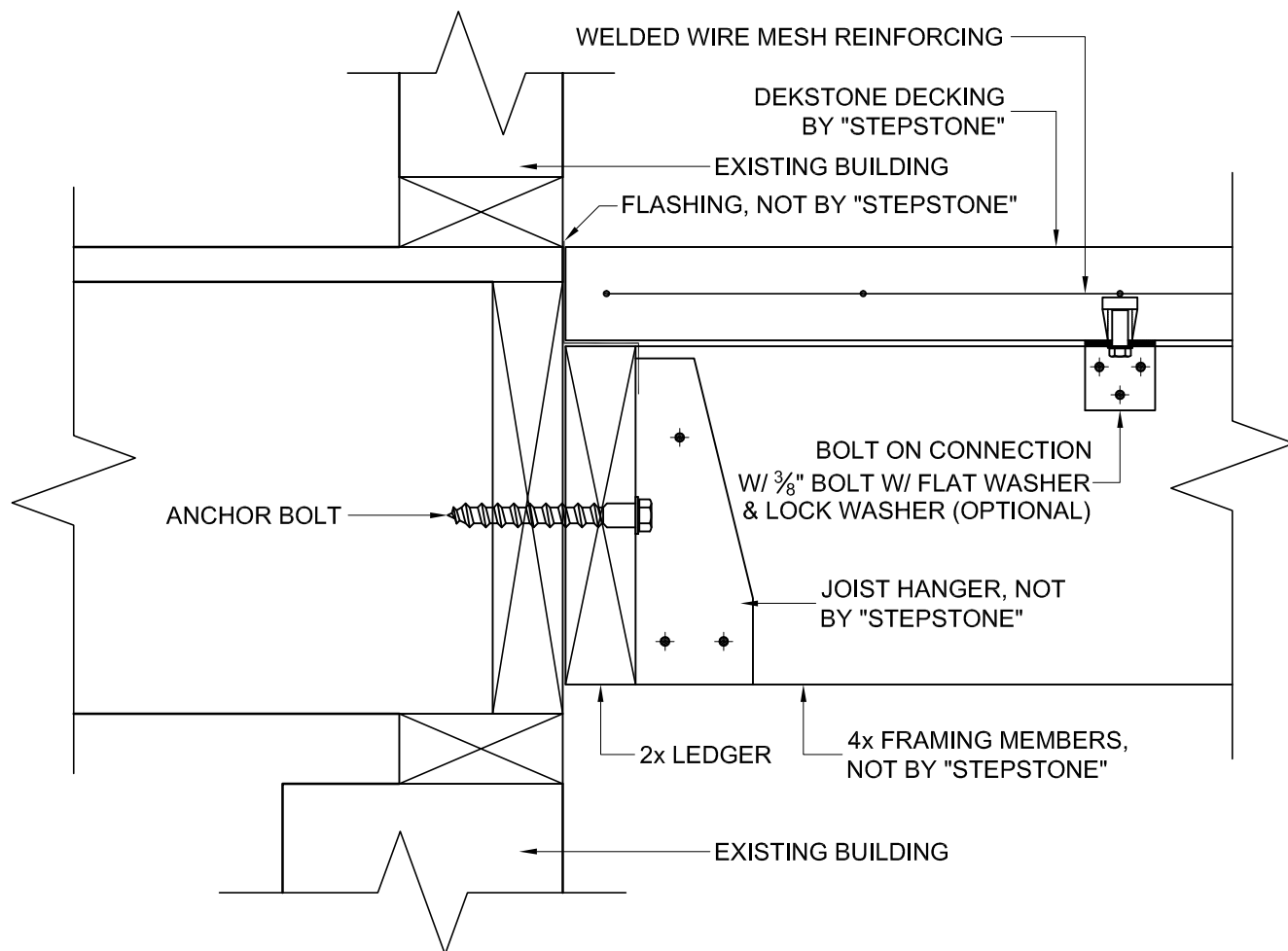
FIELD - PERPENDICULAR TO
SUPPORT, BOLTED

3" = 1'-0"
FILE: DEK-2-07

REV: 01.19.06

Dekstone®

Dekstone® Architectural Series



SUGGESTED CONNECTION TO BUILDING-RAISED FOUNDATION

3" = 1'-0"

FILE: DEK-2-09

REV: 01.19.06

Page 10

Visit us at our website www.dekstone.com

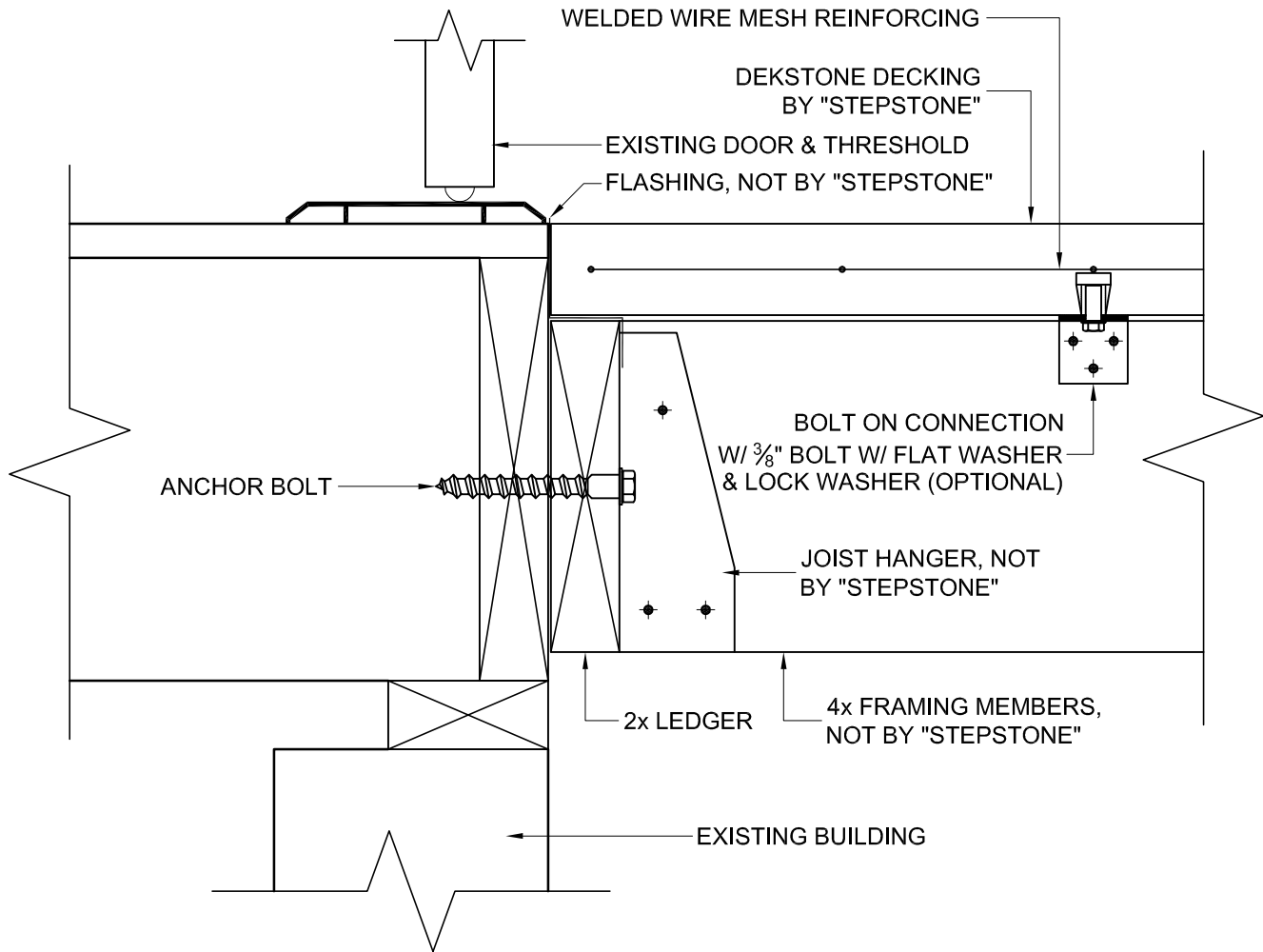


Stepstone, Inc.
800.572.9029

17025 SOUTH MAIN ST., GARDENA CA 90248 TEL 310.327.7474 FAX 310.217.1424

Dekstone®

Dekstone® Architectural Series



SUGGESTED THRESHOLD DETAIL

3" = 1'-0"

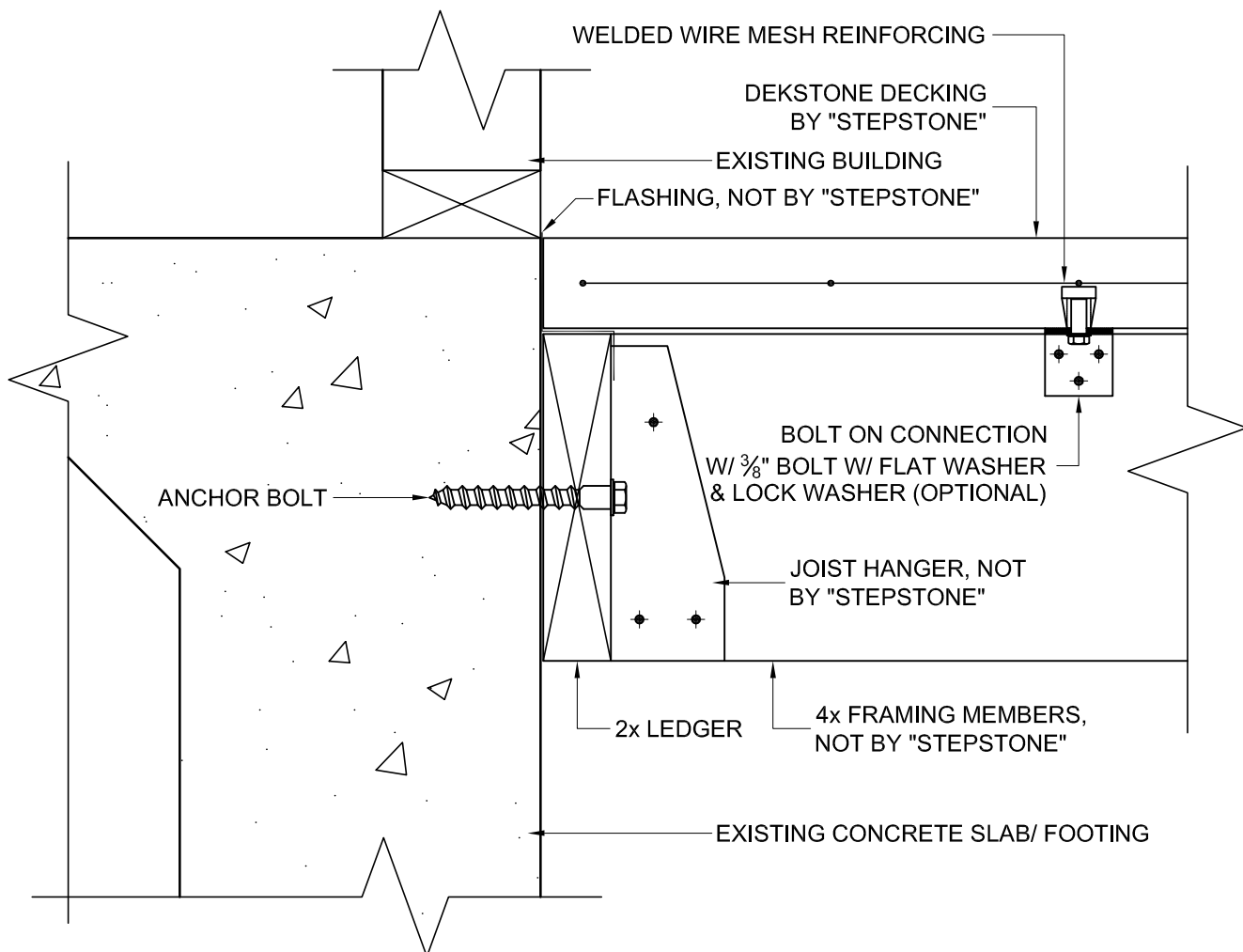
FILE: DEK-2-10

REV: 01.19.06



Dekstone®

Dekstone® Architectural Series



SUGGESTED CONNECTION TO BUILDING- CONCRETE SLAB FOUNDATION

3" = 1'-0"

FILE: DEK-2-11

REV: 01.19.06

Page 12

Visit us at our website www.dekstone.com

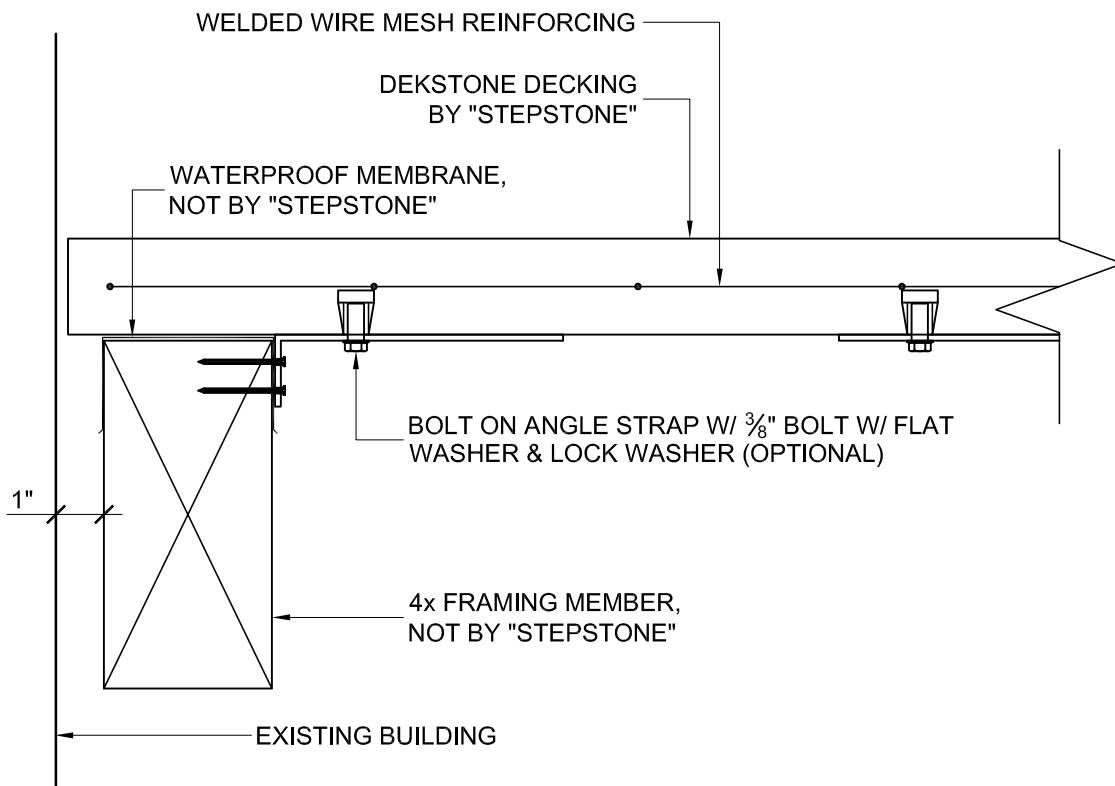


Stepstone, Inc.
800.572.9029

17025 SOUTH MAIN ST., GARDENA CA 90248 TEL 310.327.7474 FAX 310.217.1424

Dekstone®

Dekstone® Architectural Series



CONNECTION PARALLEL TO BUILDING

3" = 1'-0"

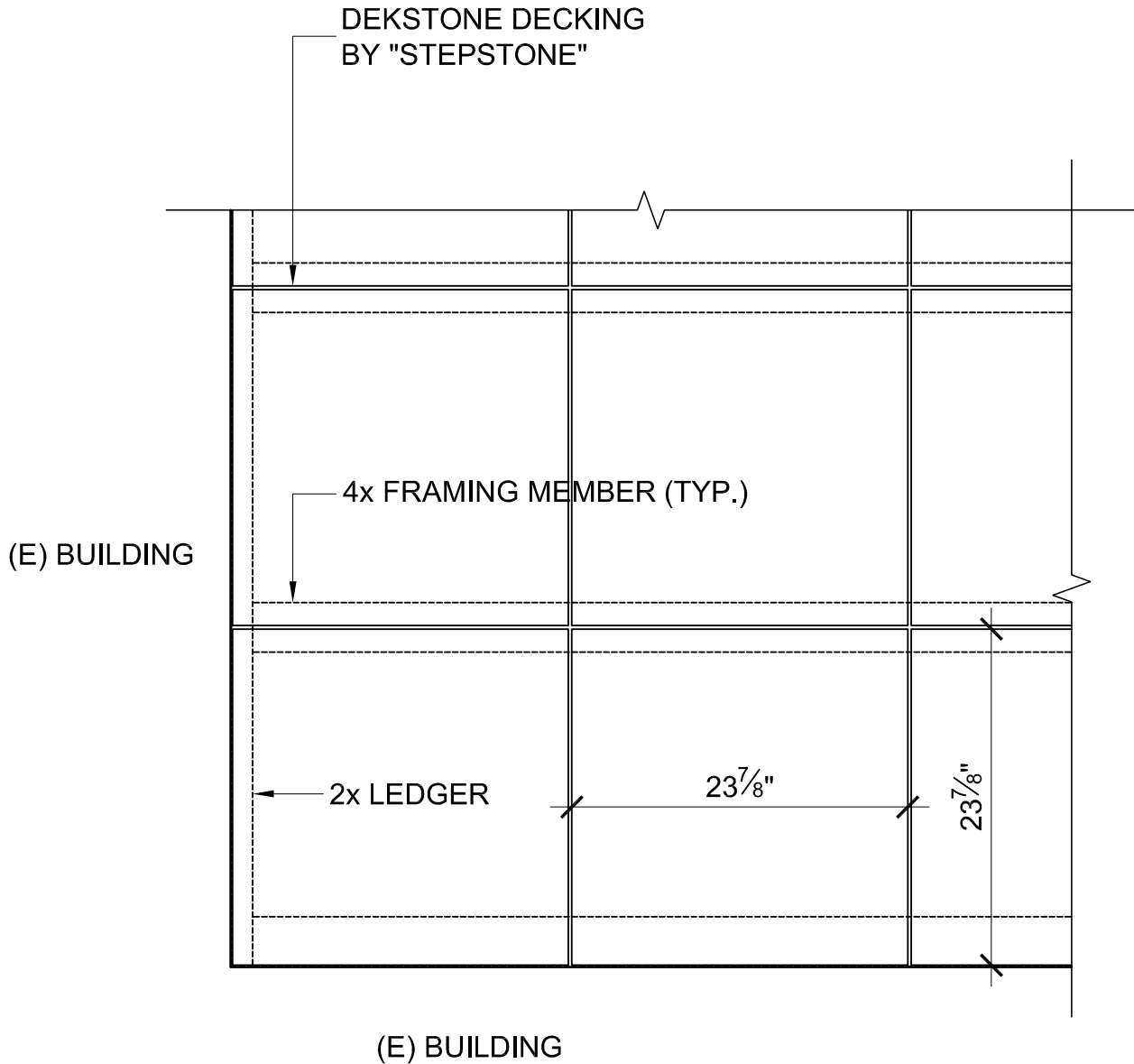
FILE: DEK-2-13

REV: 01.19.06



Dekstone®

Dekstone® Architectural Series



INSIDE CORNER @ BUILDING

1" = 1'-0"

FILE: DEK-2-14

REV: 01.19.06

Page 14

Visit us at our website www.dekstone.com

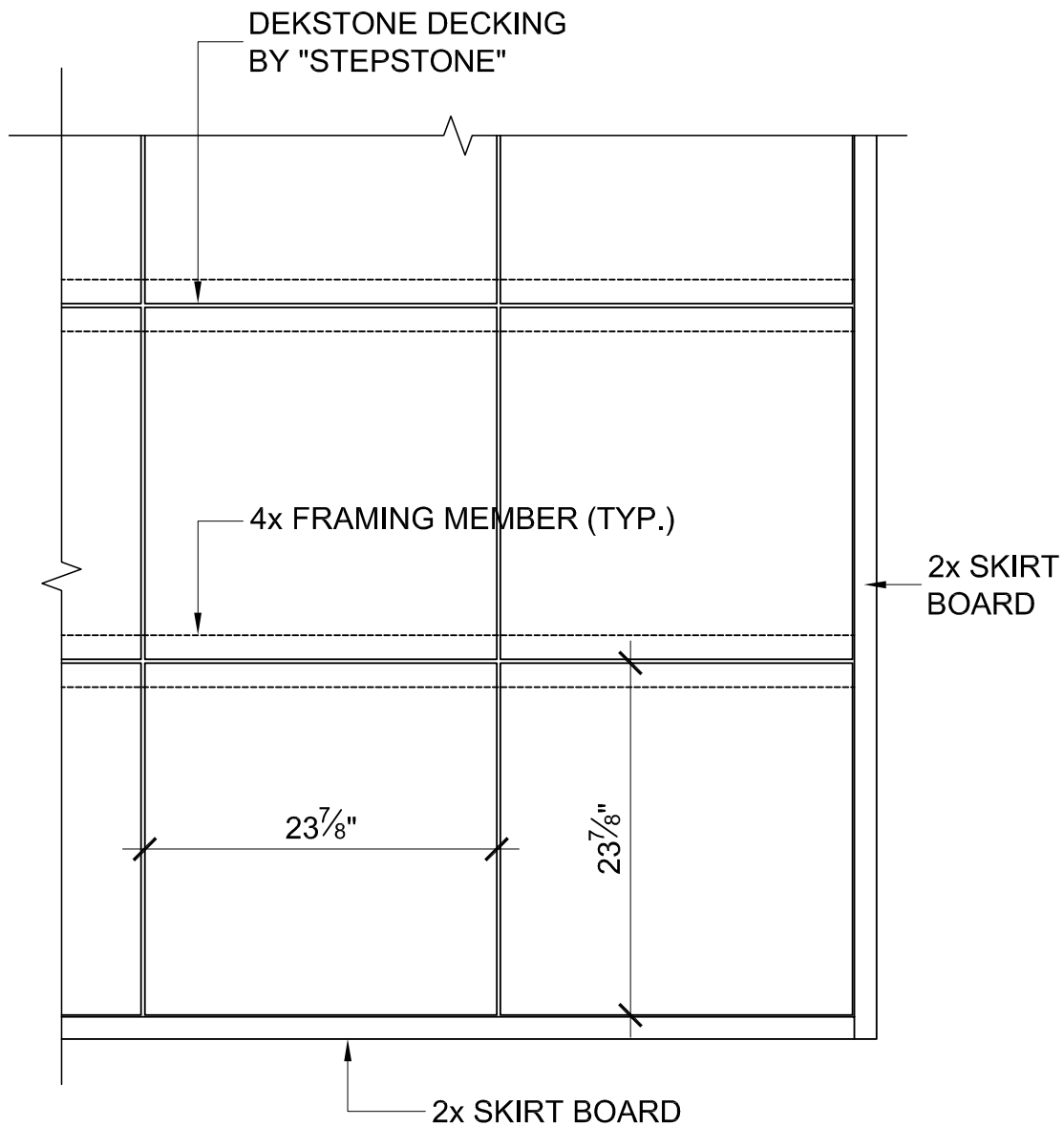


Stepstone, Inc.
800.572.9029

17025 SOUTH MAIN ST., GARDENA CA 90248 TEL 310.327.7474 FAX 310.217.1424

Dekstone®

Dekstone® Architectural Series



CONTAINED EDGE PROFILE

1" = 1'-0"

FILE: DEK-2-15

REV: 01.19.06

Page 15

Visit us at our website www.dekstone.com

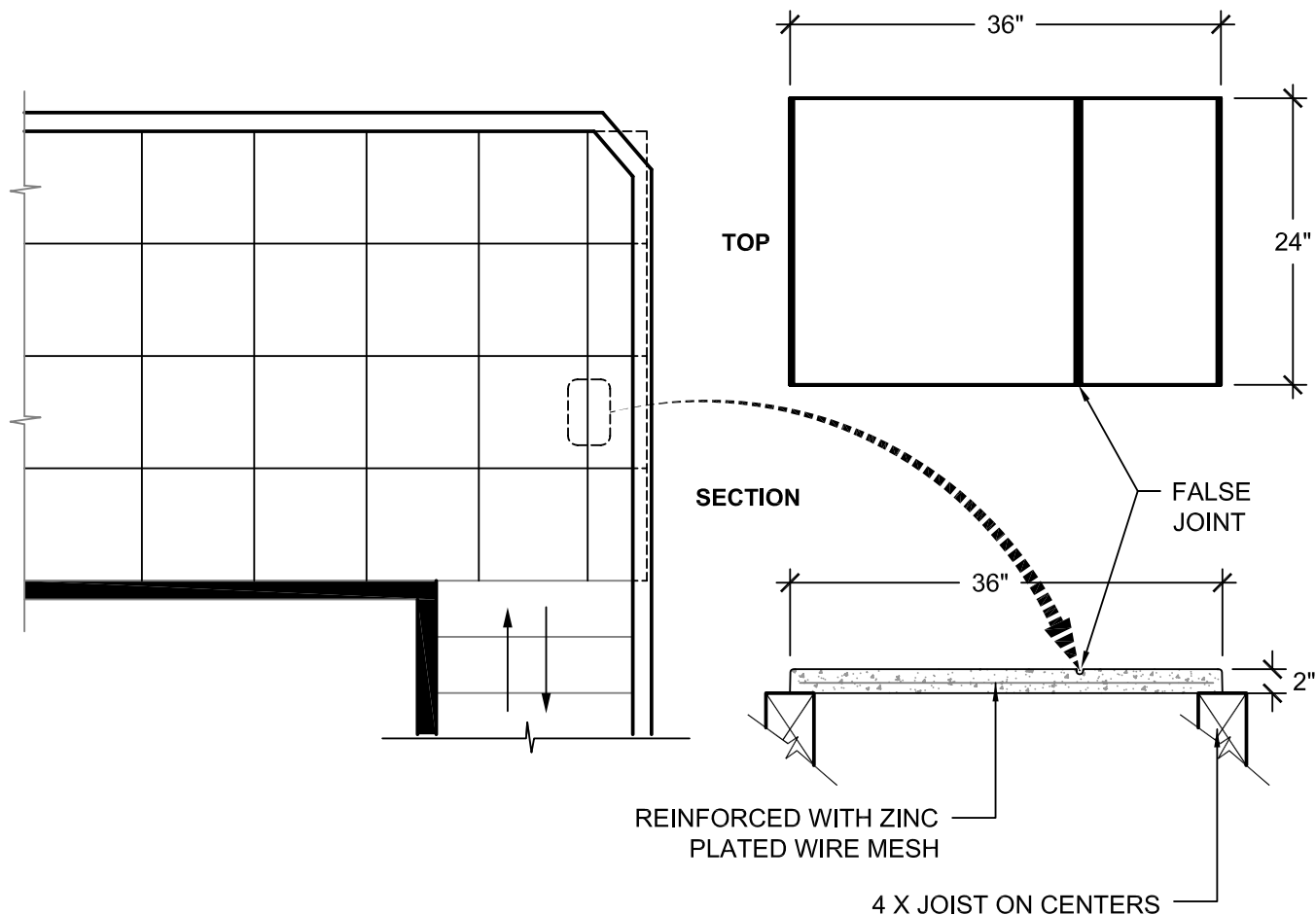


Stepstone, Inc.
800.572.9029

17025 SOUTH MAIN ST., GARDENA CA 90248 TEL 310.327.7474 FAX 310.217.1424

Dekstone®

Dekstone® Architectural Series



22 lbs. p.s.f.

FALSE JOINT REINFORCED
DEKSTONE® PAVER, 5,000 p.s.i.

Rev. 03.19.08

NOTE:

FALSE JOINT REINFORCED DECK PAVERS ARE USED IN SITUATIONS WHERE CUTTING IS REQUIRED AND THERE IS LESS THAN 12" THAT NEEDS TO BE SUPPORTED.

Page 16

Visit us at our website www.dekstone.com



Stepstone, Inc.
800.572.9029

17025 SOUTH MAIN ST., GARDENA CA 90248 TEL 310.327.7474 FAX 310.217.1424