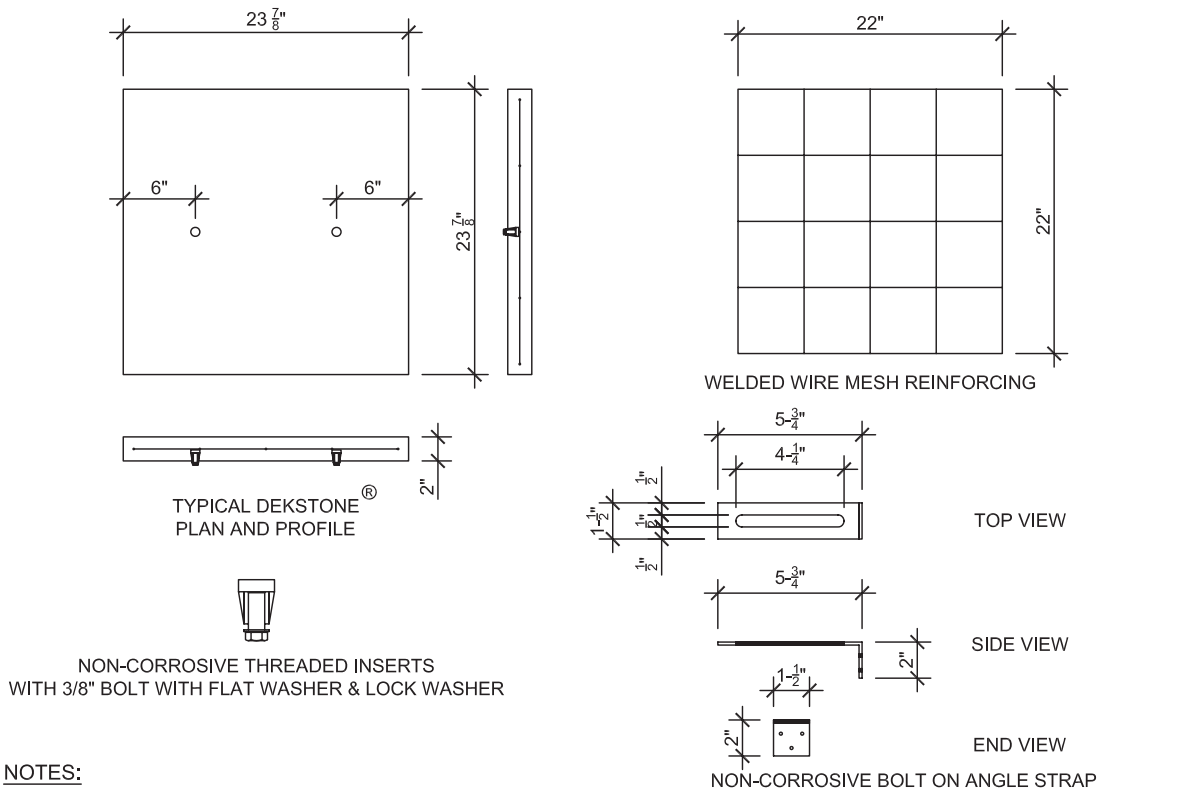


Dekstone®

Dekstone® Architectural Series



NOTES:

1. MATERIAL:
 - PRECAST CONCRETE DEKSTONE® SHALL HAVE A MINIMUM COMPRESSIVE STRENGTH OF 5000 P.S.I.
 - REINFORCEMENT SHALL BE ZINC PLATED WELDED WIRE MESH.
 - NOMINAL SIZE 23 7/8" x 23 7/8" x 2" THICK.
2. EDGE SUPPORT:
 - 2x BLOCKING EDGE SUPPORT REQUIRED AT END OF FLOOR JOIST.
3. DEKSTONE® PAVERS SHALL BE INSTALLED WITH A WATERPROOF MEMBRANE OVER FRAMING MEMBERS; DO NOT INSTALL DIRECTLY ON WOOD MEMBERS, MIN.1/8" GAP.
4. DEKSTONE® PAVERS SHALL HAVE A MINIMUM 11/2" BEARING SURFACE ON TWO PARALLEL SIDES.
5. FRAMING MEMBERS NOT BY "STEPSTONE" (TYPICAL).
6. ALL DEKSTONES® HAVE THE ABILITY TO BE FASTENED TO THE JOIST WITH TWO THREADED INSERTS.
7. USUALLY ONLY THE PERIMETER PAVERS NEED TO BE CONTAINED TO CONTAIN THE FIELD OF THE DEKSTONES.®
8. IN SOME CASES IT MAY BE DESIRABLE TO FASTEN ALL DEKSTONES® TO THE JOISTS.
9. THESE DETAILS ARE INTENDED TO BE THE STANDARD PLAN FOR DEKSTONE® PRECAST CONCRETE DECKING MATERIAL ONLY. THE DESIGN OF THE STRUCTURE AND COMPLIANCE TO LOCAL BUILDING CODES IS THE RESPONSIBILITY OF THE USER.

GENERAL DETAILS

N.T.S.
FILE: DEK-1-04

REV: 05. 01. 08

Page 1

Visit us at our website www.dekstone.com