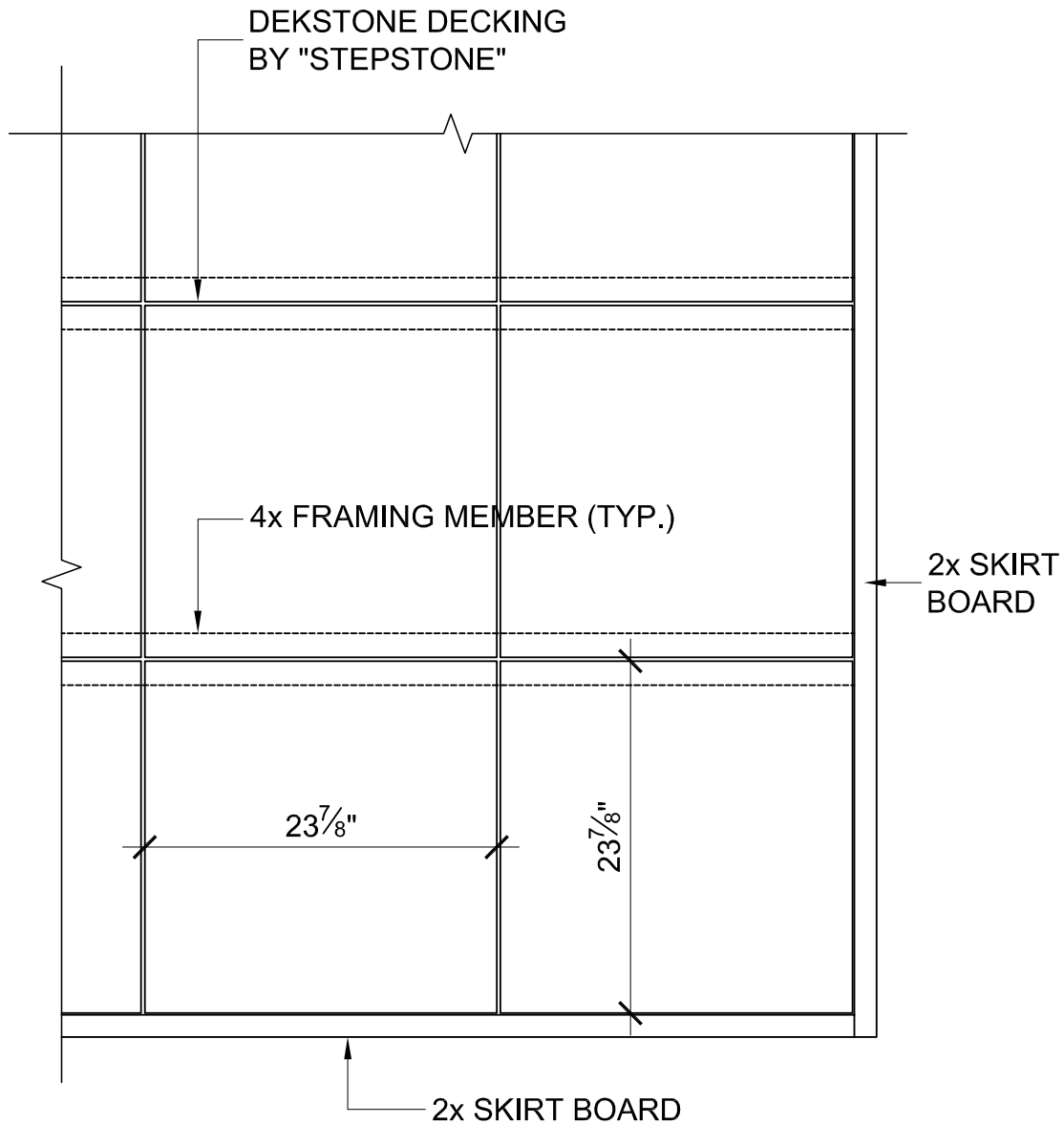


# Dekstone®

Dekstone® Architectural Series



## CONTAINED EDGE PROFILE

1" = 1'-0"

FILE: DEK-2-15

REV: 01.19.06

Page 15

Visit us at our website [www.dekstone.com](http://www.dekstone.com)



**Stepstone, Inc.**  
800.572.9029

17025 SOUTH MAIN ST., GARDENA CA 90248 TEL 310.327.7474 FAX 310.217.1424